

INSTRUCTIONS FOR UNLOADING AND STORING OF PANELS

- Unloading of packages with Izopanel panels can only be performed using a crane or a fork-lift truck.
- When unloading with a crane, use webbing straps and spacers. Spacers should be at least 4cm thick and protrude at least 5cm at each side of the package. They should be placed both above and under the package. (Fig.1)
- For panels of up to 6m in length, spacing of webbing straps cannot be less than 2m (Fig. 2)
- For panels longer than 6m, spacing of webbing straps should not exceed 4m. It is also necessary to use a lifting yoke (Fig. 3).

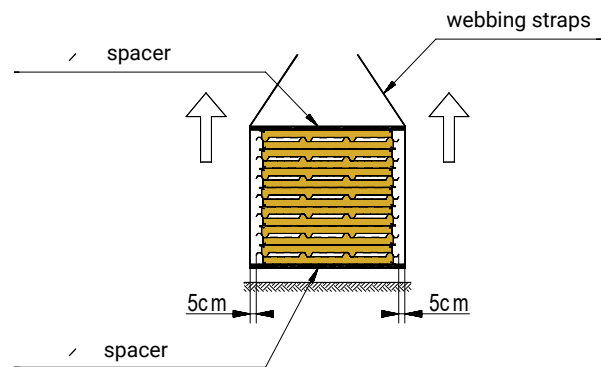


Fig.1

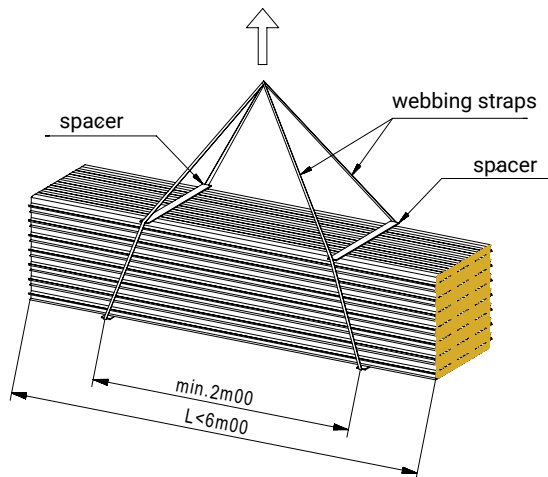


Fig. 2

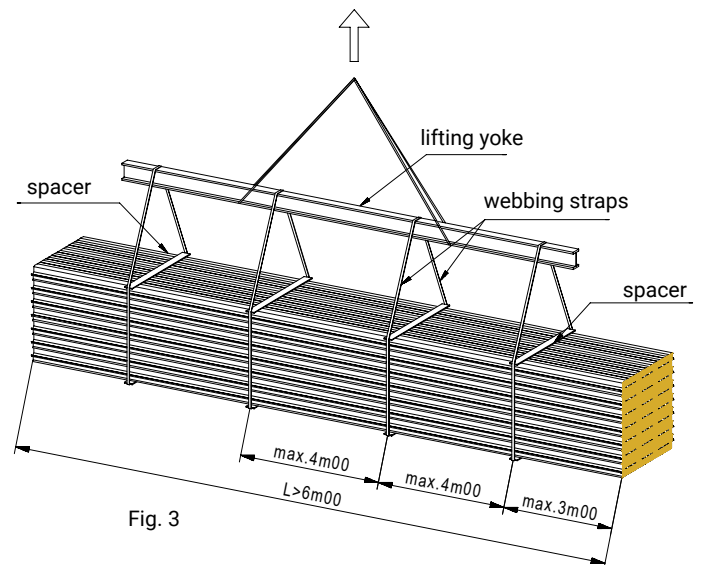


Fig. 3

- When unloading with a fork-lift truck, protect panel claddings from being damaged by lifting forks (e.g. using 1cm thick polystyrene overlays).
- For panels of up to 6m in length, spacing of lifting forks cannot be less than 1.5m (Fig. 4)
- When unloading panels longer than 6.0m with a fork-lift truck, additionally use a base extending the lifting fork width. (Fig. 5)

Do not use wire ropes and chains for unloading!

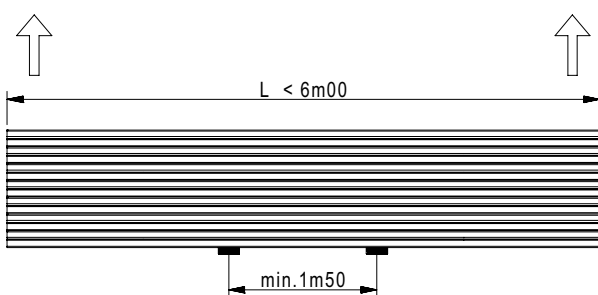


Fig. 4

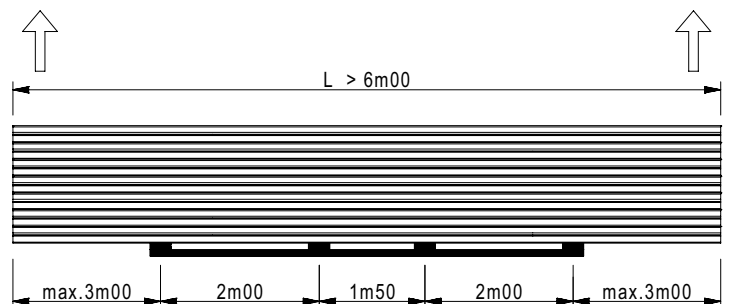


Fig. 5

- Izopanel panels should be placed on a dry and level ground on supports, at a height of no less than 20cm above the storage area. It is allowed to stack a maximum of 2 packages only. (Fig. 6)

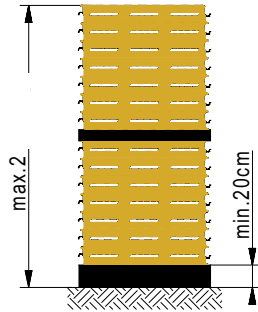


Fig. 6

- Izopanel panels should be placed ensuring a slight slope to prevent accumulation of rainwater between panels. (Fig. 7)

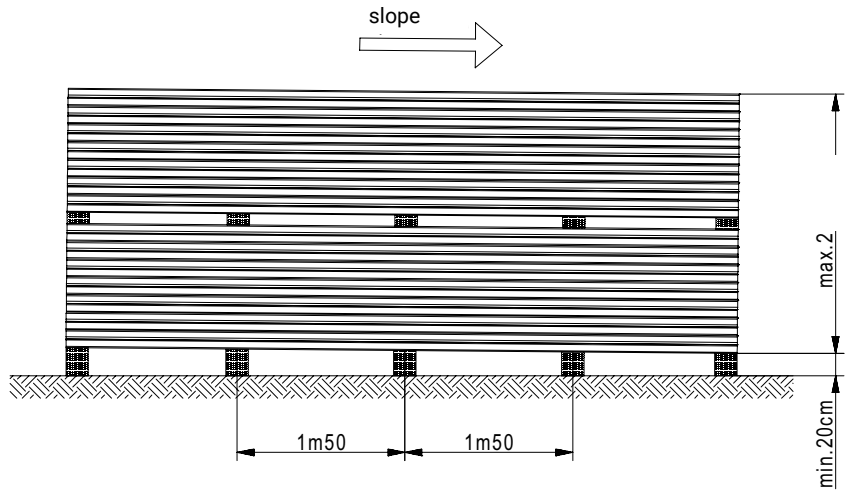


Fig. 7

- In order to avoid mechanical damages lift single panels only, rather than slide one panel over the other. (Fig. 8)

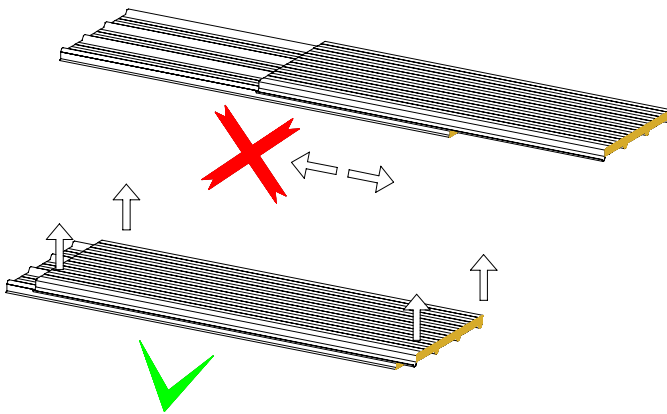


Fig. 8

- Avoid long-term storage (longer than two weeks) of Izopanel panels on the site.
- When storing panels on the site, cover them with a canvas to protect from weather conditions and UV radiation. Do not use plastic foils.
- If storage period is longer than two weeks, place Izopanel panels in a well ventilated place, protect them from sunlight and allow access of air to all layers.
- Remember to remove protective foil from claddings within a month from the date of manufacture of panels.
- Avoid walking on panel packages.

Failure to follow the above instructions will render the warranty void!