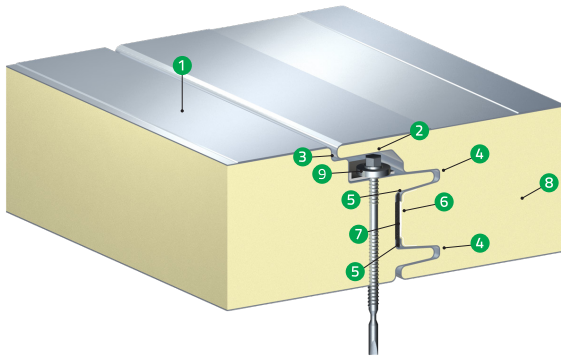


IzoGold PIR/PIR+

Wall panel with polyisocyanurate or polyurethane core - hidden screw fasteners.



- 1 Profiled lining with a unique surface design.
- 2 Hidden fastener gives the facade a uniform appearance.
- 3 Large bend radii guarantee durability of lining protective coatings.
- 4 Double panel lock guarantees best fire resistance properties.
- 5 Profiled edges facilitate assembly and ensure proper thermal insulating power.
- 6 Seamless polyurethane seal keeps proper thermal insulating power and tightness of joint - applied in manufacture.
- 7 Protecting strip prevents diffusion, water and gas infiltration and steam penetration into the insulating core.
- 8 Core made of stiff, freon-free, self-extinguishing PIR/PIR+ foam with very good thermal insulation properties.
- 9 L-02 fastener ensuring load distribution.

Suitable for building external and internal walls of industrial buildings: production halls, storage buildings, commercial halls, shopping centres, farm facilities. Vertical or horizontal installation.

PIR/PIR+ core - stiff polyisocyanurate foam, thermal conductivity rating $\lambda = 0,022 \text{ W/m}^2\text{K}$, improved burning behaviour.

Steel sheet lining with anticorrosive protection depending on the intended use.

| Mechanical properties | | | | |
|--|---|------|-------|------|
| thickness | 60 | 80 | 100 | 120 |
| modular width [mm] | 1080 or 1000* | | | |
| total width [mm] | modular width +18 mm | | | |
| length [mm] | 2000 - 16000** | | | |
| weight 0,5/0,4 [kg/m ²] | 10,0 | 10,8 | 11,6 | 12,4 |
| weight 0,5/0,5 [kg/m ²] | 10,9 | 11,7 | 12,5 | 13,3 |
| Insulating power | | | | |
| U PIR/PIR+ [W/m ² K] | 0,42 | 0,29 | 0,22 | 0,19 |
| Burning behaviour | | | | |
| PIR fire resistance | - | | EI 15 | |
| PIR+ fire resistance | - | | EI 15 | |
| PIR/PIR+ reaction to fire | B-s2, d0 | | | |
| fire propagation | NRO | | | |
| Acoustic properties | | | | |
| acoustic resistance coefficient: | | | | |
| R _w [dB] | 26 | | | |
| R _{A1} [dB] | 23 | | | |
| R _{A2} [dB] | 21 | | | |
| acoustic absorption coefficient α_w | 0,15 | | | |
| Leakproofness | | | | |
| Air permeability: pressure | n = 0,7578, C = 0,0335 | | | |
| Air permeability: suction | n = 0,7778, C = 0,0115 | | | |
| Blowing rain resistance | A class - absolute leakproofness at 1200 Pa | | | |

* modular width available on an individual order.

** maximum length depending on the panel colour – see the "Tips for colour selection" section

Panels are manufactured in accordance with PN-EN 14509:2013 and have the  mark.