

INSTRUCTIONS FOR UNLOADING AND STORING OF PANELS

- ✓ Unloading of packages with Izopanel panels can only be performed using a crane or a fork-lift truck.
- ✓ When unloading with a crane, use webbing straps and spacers. Spacers should be at least 4cm thick and protrude at least 5cm at each side of the package. (Fig.1)
- ✓ For panels of up to 6m in length, spacing of webbing straps cannot be less than 2m (Fig. 2)
- ✓ For panels longer than 6m, spacing of webbing straps should not exceed 4m. It is also necessary to use a lifting yoke (Fig. 3).

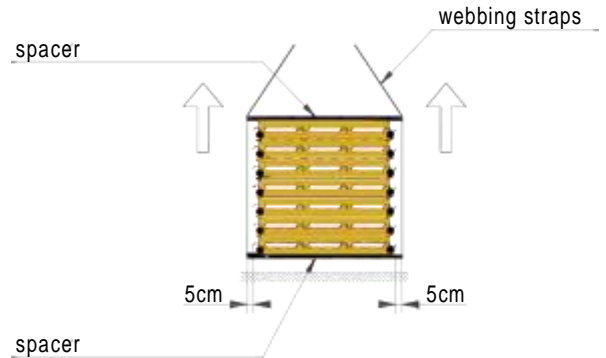


Fig. 1

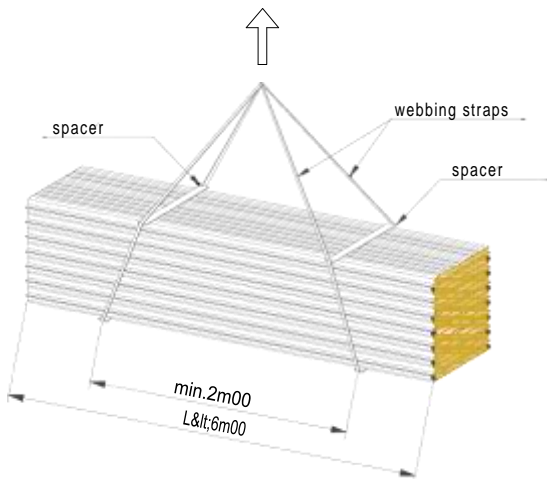


Fig. 2

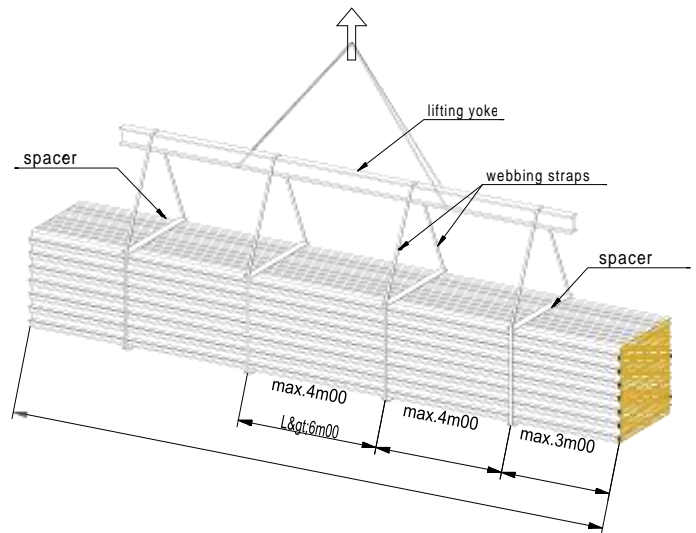


Fig. 3

Do not use wire ropes and chains for unloading!

- ✓ When unloading with a fork-lift truck, protect panel claddings from being damaged by lifting forks (e.g. using 1cm thick polystyrene overlays).
- ✓ For panels of up to 6m in length, spacing of lifting forks cannot be less than 1.5m (Fig. 4)
- ✓ When unloading panels longer than 6.0m with a fork-lift truck, additionally use a base extending the lifting fork width. (Fig. 5)

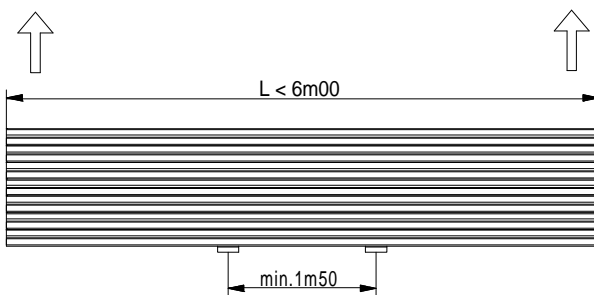


Fig. 4

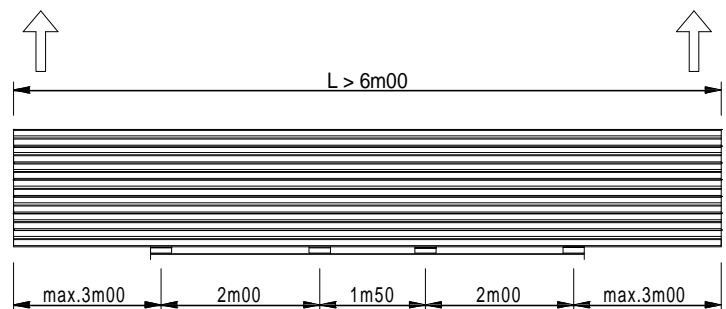


Fig. 5

INSTRUCTIONS FOR UNLOADING AND STORING OF PANELS

✓ Izopanel panels should be placed on a dry and level ground on supports, at a height of no less than 20cm above the storage area. It is allowed to stack a maximum of 2 packages only. (Fig. 6)

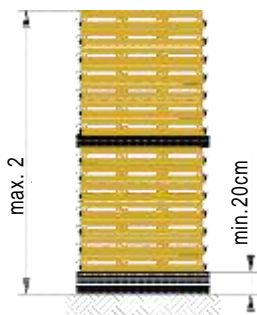


Fig. 6

✓ Izopanel panels should be placed ensuring a slight slope to prevent accumulation of rainwater between panels. (Fig. 7)

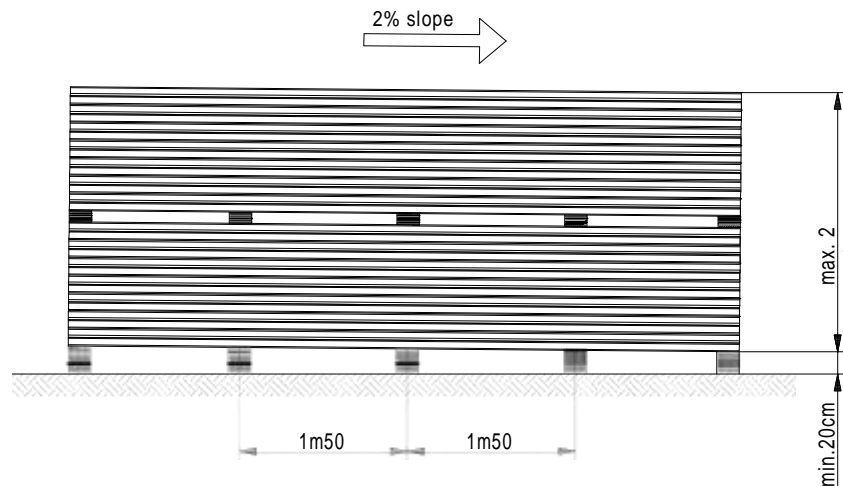


Fig. 7

✓ In order to avoid mechanical damages lift single panels only, rather than slide one panel over the other. (Fig. 8)

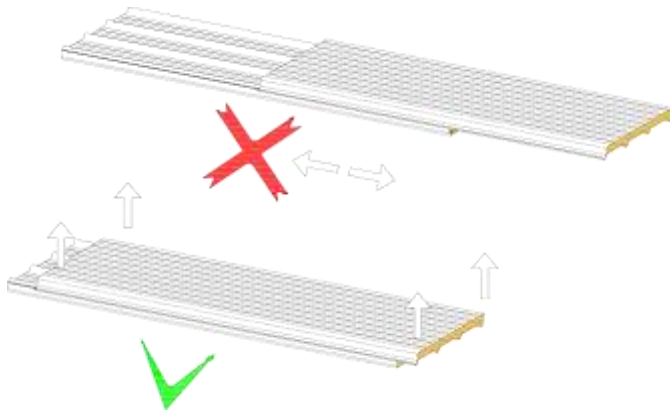


Fig. 8

✓ Avoid long-term storage (longer than two weeks) of Izopanel panels on the site.

✓ When storing panels on the site, cover them with a canvas to protect from weather conditions and UV radiation. Do not use plastic foils.

✓ If storage period is longer than two weeks, place Izopanel panels in a well ventilated place, protect them from sunlight and allow access of air to all layers.

✓ Remember to remove protective foil from claddings within a month from the date of manufacture of panels.

✓ Avoid walking on panel packages.

Failure to follow the above instructions will render the warranty void!